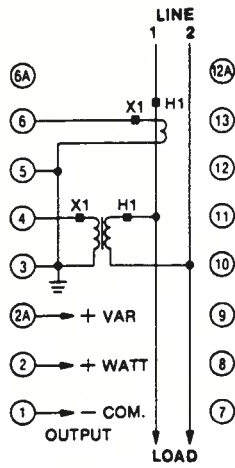
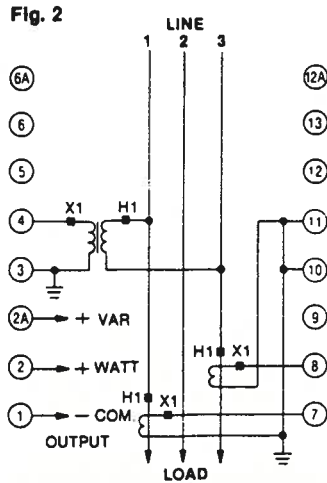




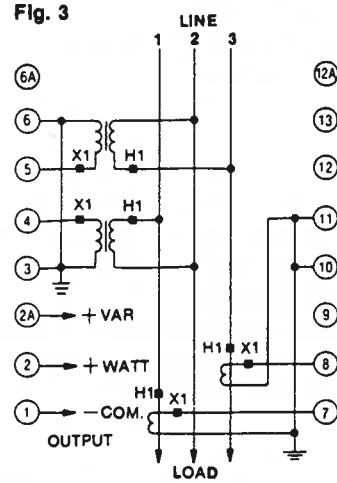
COMBINATION WATT/VAR TRANSDUCER INSTALLATION DIAGRAMS



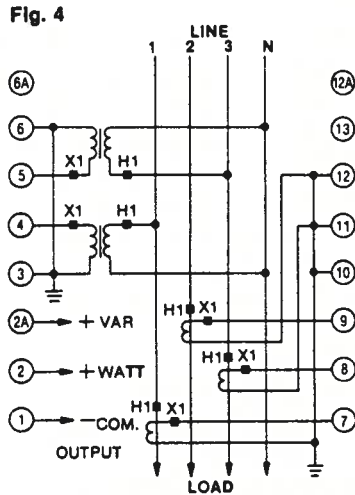
1 ELEMENT, WATT/VAR TRANSDUCER
 *120V AC AMPLIFIER POWER REQUIRED AT TERMINALS 9 & 12



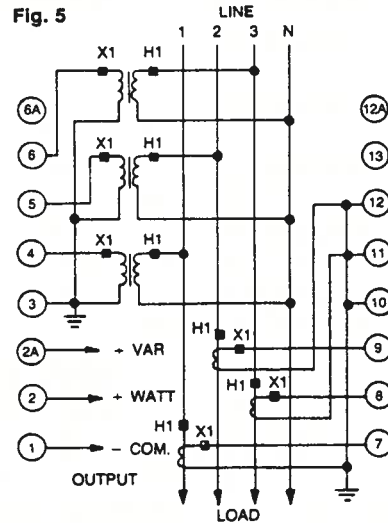
1 1/2 ELEMENT, WATT/VAR TRANSDUCER
 *120V AC AMPLIFIER POWER REQUIRED AT TERMINALS 9 & 12



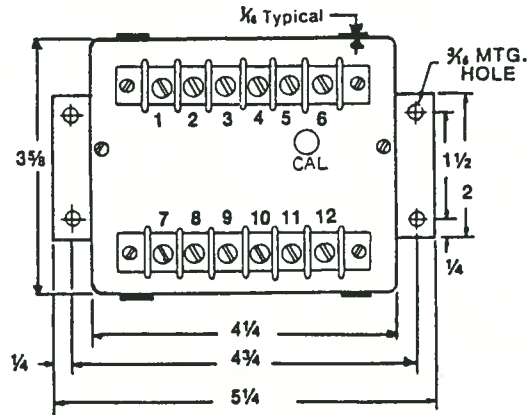
2 ELEMENT, WATT/VAR TRANSDUCER
 *120V AC AMPLIFIER POWER REQUIRED AT TERMINALS 9 & 12



2 1/2 ELEMENT, WATT/VAR TRANSDUCER
 *120V AC AMPLIFIER POWER REQUIRED AT TERMINALS 6A & 12A



3 ELEMENT, WATT/VAR TRANSDUCER
 *120V AC AMPLIFIER POWER REQUIRED AT TERMINALS 6A & 12A



OVERALL HEIGHT 6 3/8 MAX.